

Sandall Road
Wisbech
PE13 2PS UK

Tel: +44 (0)1945 47 47 47
Fax: +44 (0)1945 47 48 49

5th May 2017

Dear Customer,

Anglia have been advised by the manufacturer Taicom that the tooling for the series listed below has been updated with immediate effect, this is due to the old tooling being beyond its serviceable life.

Taicom advise they have also taken this opportunity to revise the mouldings to improve the efficiency and yield of the production process. The revised parts have some minor dimensional and cosmetic appearance changes which do not impact the form, fit or function of the parts. Attached below are the old and new data sheets for comparison purposes.

Series affected by this notification

TBV2xxBGN

TBV2xxBGN-1

Anglia operates a strict F.I.F.O system in our Distribution Centre therefore it may take some time for this change to filter through to customer deliveries.

Please ensure this information is circulated to the relevant persons within your organisation.

Yours Sincerely
Anglia

VERTICAL - standard profile

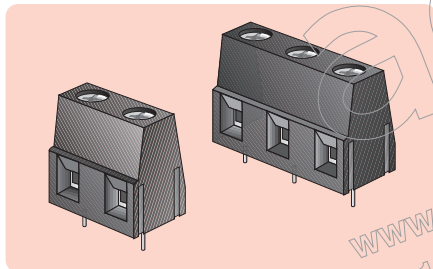
7.5mm PITCH

TAICOM type TBV/EGN



Standard profile, 7.5mm pitch blocks fitted with rising clamp type wire protection guards. Choice of 2to 12way which may be interlocked together to increase their permutation. Holes provided for test probes.

- ◆ 7.5mm pitch, 10A rating
- ◆ 14.3mm height
- ◆ Interlocking (double dovetail)
- ◆ Rising clamp wire protection
- ◆ Combi screws suit pneumatic tools
- ◆ Black UL94V-0 flame retardant bodies



Type

2 way
3 way
4 way
5 way
6 way
7 way
8 way
9 way
10 way
11 way
12 way

Manf. Part No. & anglia Order Code

TBVO2EGN
TBVO3EGN
TBVO4EGN
TBVO5EGN
TBVO6EGN
TBVO7EGN
TBVO8EGN
TBVO9EGN
TBV10EGN
TBV11EGN
TBV12EGN

Other ways available to special order

Specification

Materials

Mouldings Black glass filled polyamide to UL94V-0
Terminals Brass, tin plated
Screws M2.5, galvanised steel chromate finish
Rising clamps Brass, tin plated

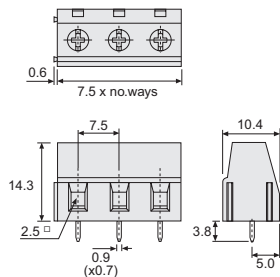
Ratings (limited by pcb)

Current rating 10A
Voltage rating 750Vac
Oper. temp. range -33°C to +120°C

Wire Size

Range 12 to 22awg
Metric capacity 4.0mm² max. (solid)
2.5mm² max. (stranded)

Dimensions (mm)

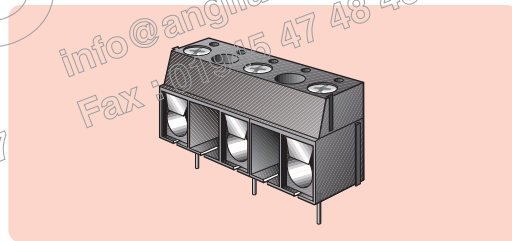


TAICOM type TBV2/BGN



Standard profile, 10mm pitch blocks with a single piece body and fitted with wire protection guards. Wider spacing, using alternate positions in the mouldings, offers improved isolation. Choice of 2to 12way. Holes provided for test probes.

- ◆ 10mm pitch, 16A rating
- ◆ Standard profile, 12.6mm height
- ◆ Single piece body
- ◆ Wide pin spacing for 240Vac
- ◆ Wire protection
- ◆ Combi screws suit pneumatic tools
- ◆ Black UL94V-0 flame retardant bodies



Type

2 way
3 way
4 way
5 way
6 way
7 way
8 way
9 way
10 way
11 way
12 way

Manf. Part No. & anglia Order Code

TBV202BGN
TBV203BGN
TBV204BGN
TBV205BGN
TBV206BGN
TBV207BGN
TBV208BGN
TBV209BGN
TBV210BGN
TBV211BGN
TBV212BGN

Other ways available to special order

Specification

Materials

Mouldings Black glass filled polyamide to UL94V-0
Terminals Brass, tin plated
Screws M3, galvanised steel chromate finish
Wire guards Stainless steel

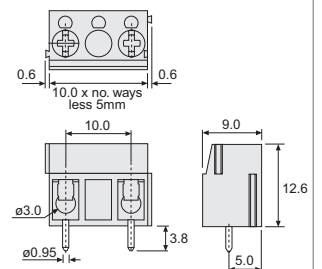
Ratings (limited by pcb)

Current rating 16A
Voltage rating 750Vac
Oper. temp. range -33°C to +120°C

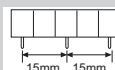
Wire Size

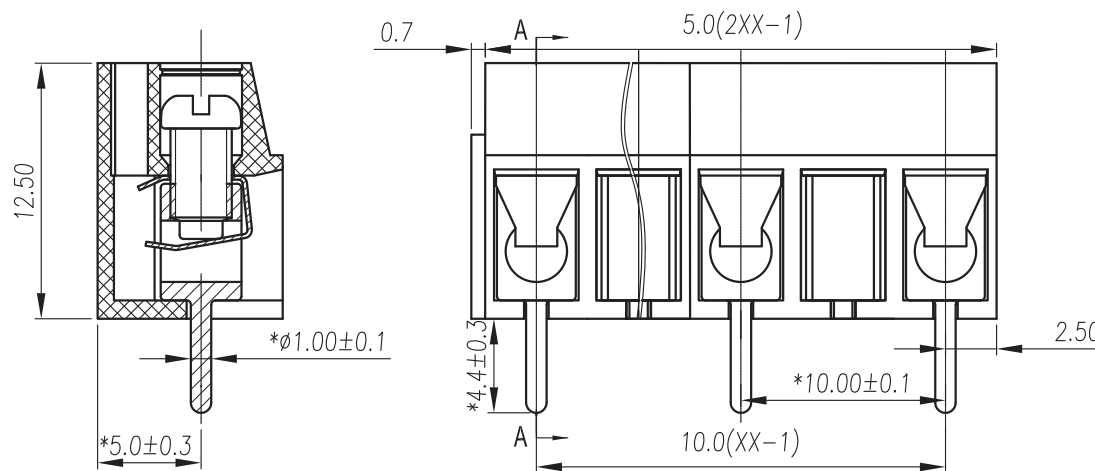
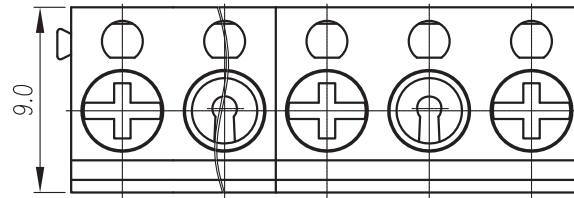
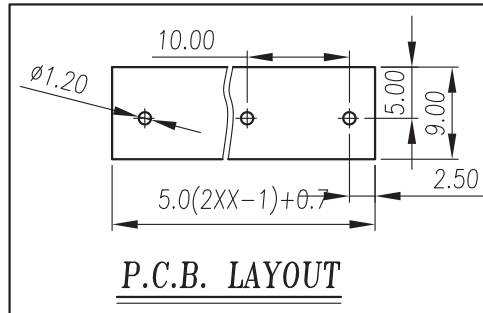
Range 14 to 22awg
Metric capacity 2.5mm² max. (solid)
1.5mm² max. (stranded)

Dimensions (mm)



The above Taicom blocks are also available with a wider 15mm pitch pin spacing. Using alternate positions in the mouldings they offer improved isolation.





SPECIFICATION

Current Rating : 16A AC/DC
 Voltage Rating : 250V AC/DC
 Operation Temperature : -30°C to +120°C
 Contact Resistance : 20mΩ max.
 Insulation Resistance : 500MΩ Min.
 Wire Range : 22-16AWG 1.5mm²
 Withstand Voltage : 2000V AC/minute

Mechanical

Torque : 0.5Nm
 Strip length : 4.5-5mm
 Soldering : +250°C Max for 5 sec
 Pitch : 10mm
 Poles : 3-24p

Housing

Screws : PA66, UL94V-0
 M3, Steel Zn Plated
 Pin header: Brass, Tin plated
 Shrapnel: Phosphor bronze
 Ni plated

		linear dimension (Tolerances Standard GB/T 14486-2008)										≡ — □ // ⊥					
variable range	to	over 6	over 10	over 18	over 30	over 50	over 80	over 120	over 160	over 200	over 250	all	to 5	over 5	over 30	over 120	to
	tolerance	±0.1	±0.14	±0.19	±0.25	±0.32	±0.43	±0.57	±0.72	±0.88	±1.05	±1.25	0.5	0.025	0.06	0.12	0.4

RoHS Compliant

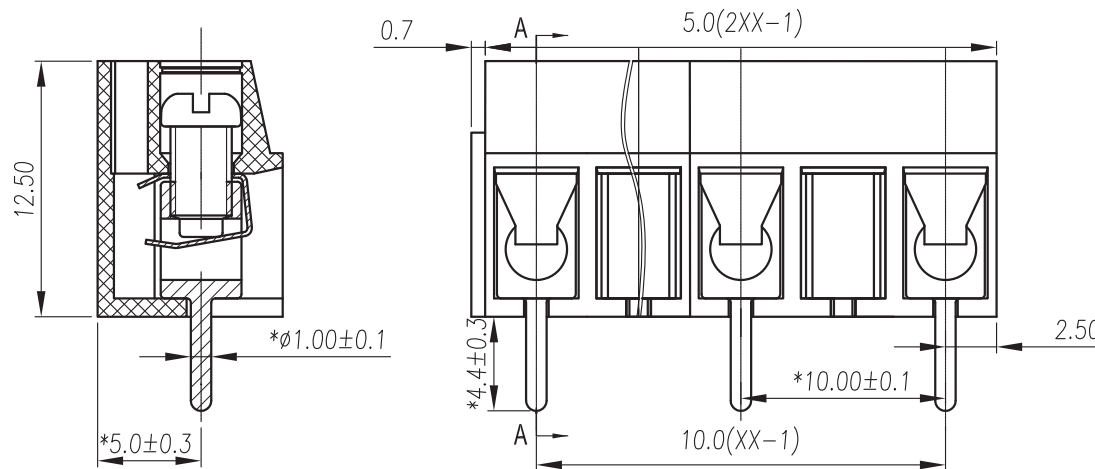
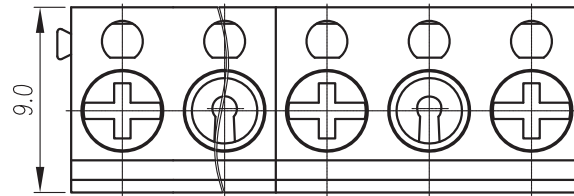
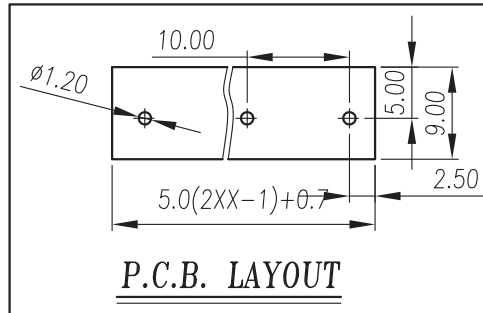
Taicom TBV2xxBGN

Title : Vertical, 10mm Pitch, Wireguard

Tolerance (Unless Specified) : .x = ±0.20
 .xx = ±0.15

Dim : (mm)

Angle :



SPECIFICATION

Current Rating : 16A AC/DC
 Voltage Rating : 250V AC/DC
 Operation Temperature : -30°C to +120°C
 Contact Resistance : 20mΩ max.
 Insulation Resistance : 500MΩ Min.
 Wire Range : 22-16AWG 1.5mm²
 Withstand Voltage : 2000V AC/minute

Mechanical

Torque : 0.5Nm
 Strip length : 4.5-5mm
 Soldering : +250°C Max for 5 sec
 Pitch : 10mm
 Poles : 3-24p

Housing

Screws : PA66, UL94V-0
 M3, Steel Zn Plated
 Pin header: Brass, Tin plated
 Shrapnel: Phosphor bronze
 Ni plated

variable range	linear dimension (Tolerances Standard GB/T 14486-2008)										≡	—	□	//	⊥	
	to 6	over 6 to 10	over 10 to 18	over 18 to 30	over 30 to 50	over 50 to 80	over 80 to 120	over 120 to 160	over 160 to 200	over 200 to 250						over 250 to all
tolerance	±0.1	±0.14	±0.19	±0.25	±0.32	±0.43	±0.57	±0.72	±0.88	±1.05	±1.25	0.5	0.025	0.06	0.12	0.4

RoHS Compliant

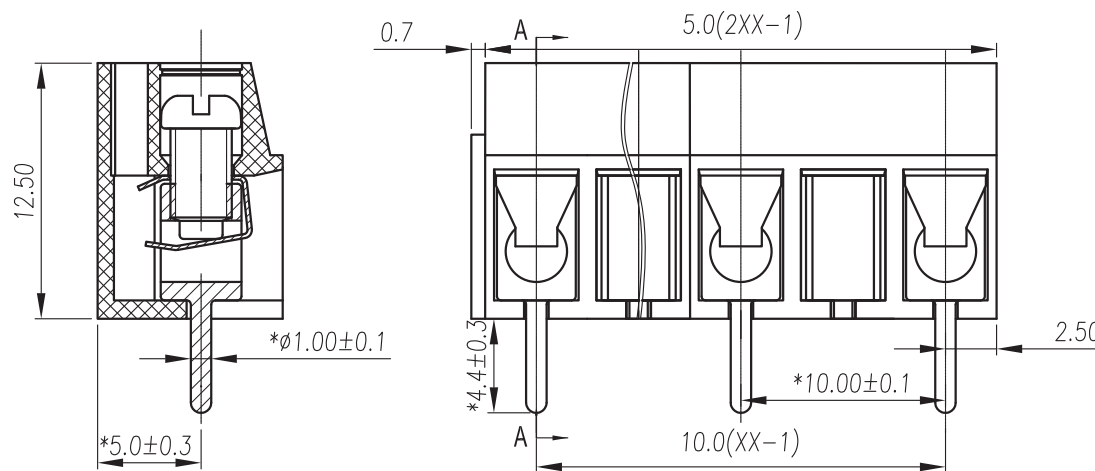
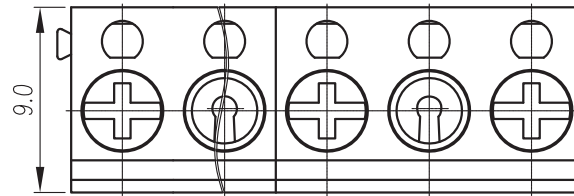
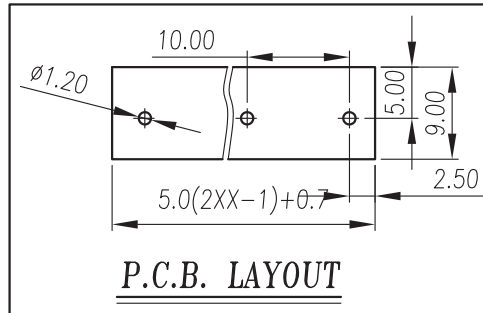
Taicom TBV2xxBGN

Title : Vertical, 10mm Pitch, Wireguard

Tolerance (Unless Specified) : .x = ±0.20
.xx = ±0.15

Dim : (mm)

Angle :



SPECIFICATION

Current Rating : 16A AC/DC
 Voltage Rating : 250V AC/DC
 Operation Temperature : -30°C to +120°C
 Contact Resistance : 20mΩ max.
 Insulation Resistance : 500MΩ Min.
 Wire Range : 22-16AWG 1.5mm²
 Withstand Voltage : 2000V AC/minute

Mechanical

Torque : 0.5Nm
 Strip length : 4.5-5mm
 Soldering : +250°C Max for 5 sec
 Pitch : 10mm
 Poles : 3-24p

Housing

Screws : PA66, UL94V-0
 M3, Steel Zn Plated
 Pin header: Brass, Tin plated
 Shrapnel: Phosphor bronze
 Ni plated

variable range	linear dimension (Tolerances Standard GB/T 14486-2008)										≡	—	□	//	⊥	
	to 6	over 6 to 10	over 10 to 18	over 18 to 30	over 30 to 50	over 50 to 80	over 80 to 120	over 120 to 160	over 160 to 200	over 200 to 250						all
tolerance	±0.1	±0.14	±0.19	±0.25	±0.32	±0.43	±0.57	±0.72	±0.88	±1.05	±1.25	0.5	0.025	0.06	0.12	0.4

RoHS Compliant

Taicom TBV2xxBGN

Title : Vertical, 10mm Pitch, Wireguard

Tolerance (Unless Specified) : .x = ±0.20
 .xx = ±0.15

Dim : (mm)

Angle :